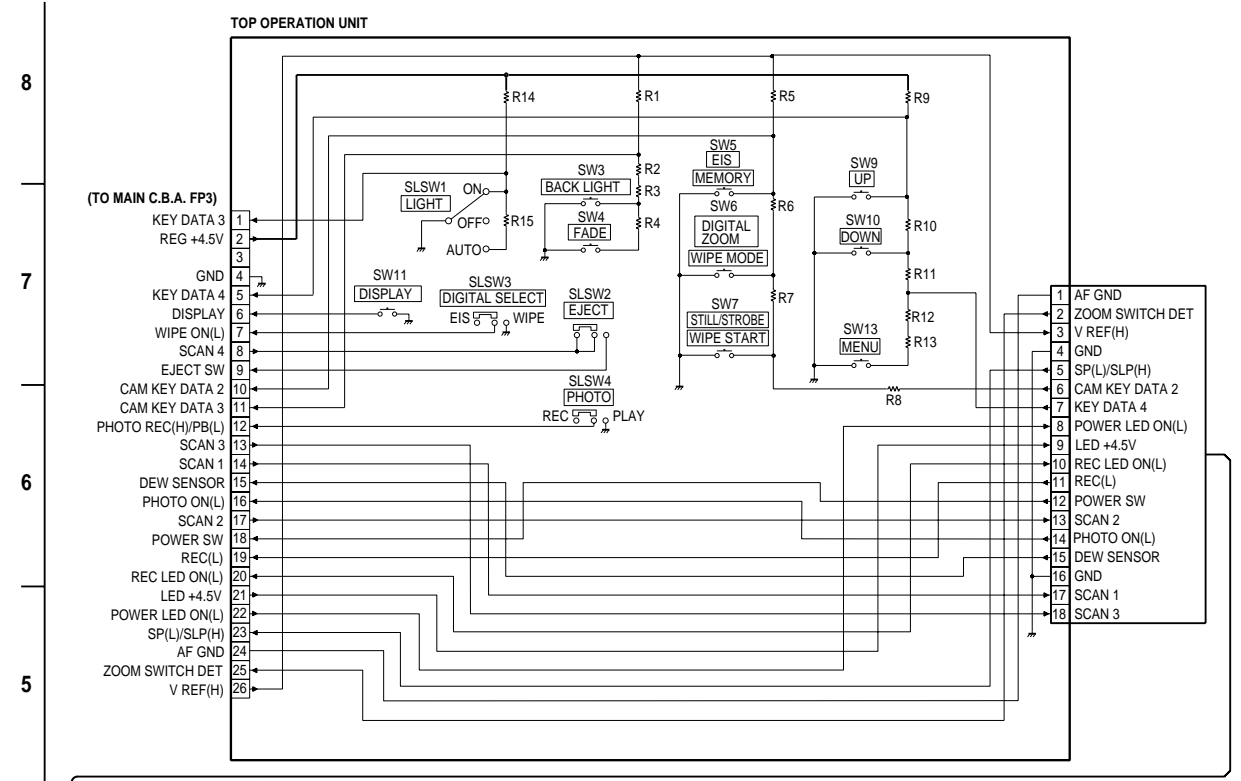


### 8.16. TOP OPERATION / SIDE L FPC / MF VR / VCR OPERATION / MECHANISM FPC SCHEMATIC DIAGRAM

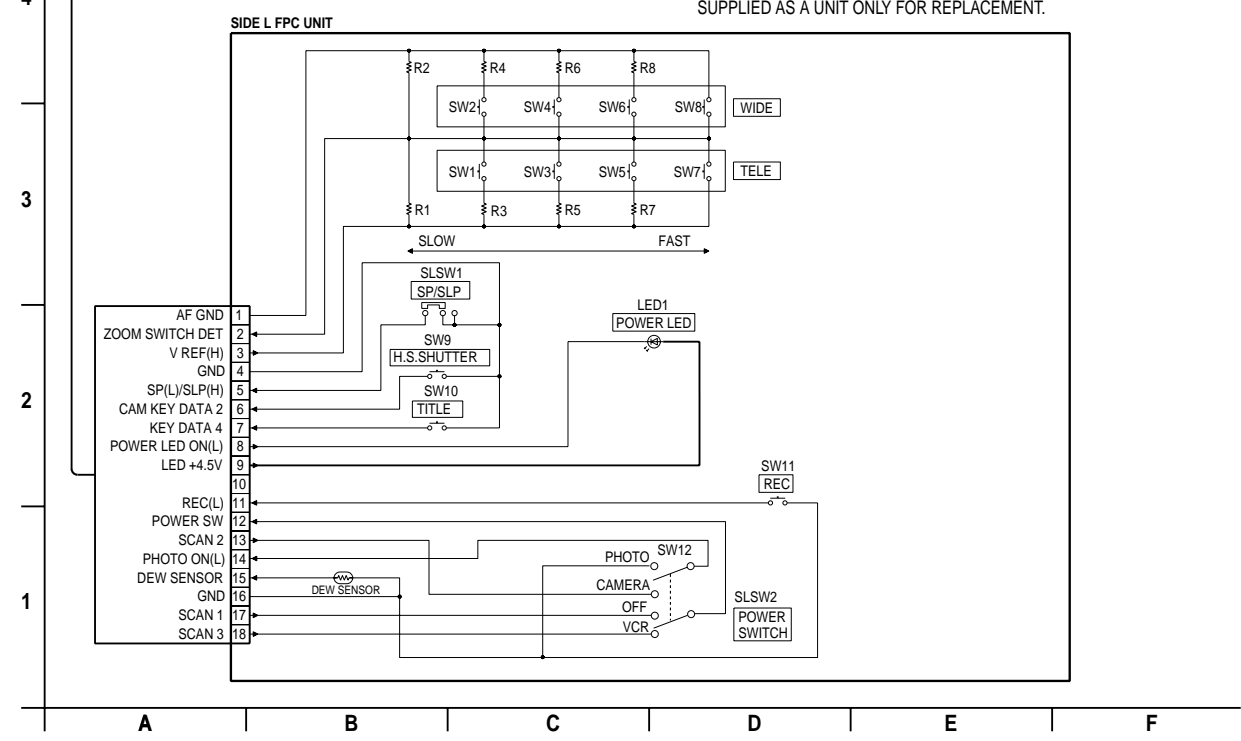
#### TOP OPERATION UNIT/SIDE L FPC UNIT

“FOR REFERENCE ONLY”

NOTE:  
TOP OPERATION UNIT IS NOT SERVICEABLE AND IS SUPPLIED AS A UNIT ONLY FOR REPLACEMENT.



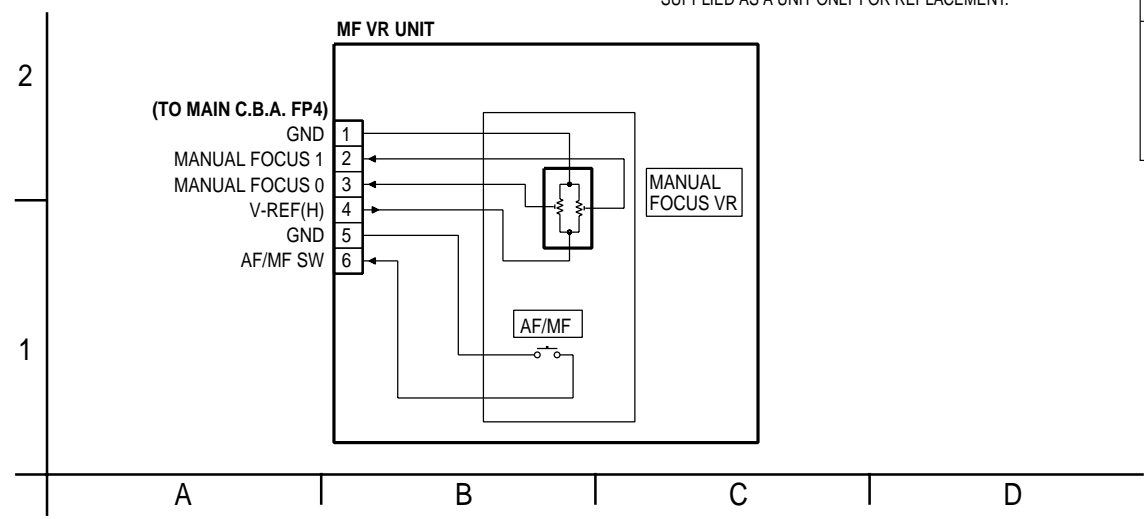
NOTE:  
SIDE L FPC UNIT IS NOT SERVICEABLE AND IS SUPPLIED AS A UNIT ONLY FOR REPLACEMENT.



#### MF VR UNIT

“FOR REFERENCE ONLY”

NOTE:  
MF VR UNIT IS NOT SERVICEABLE AND IS SUPPLIED AS A UNIT ONLY FOR REPLACEMENT.



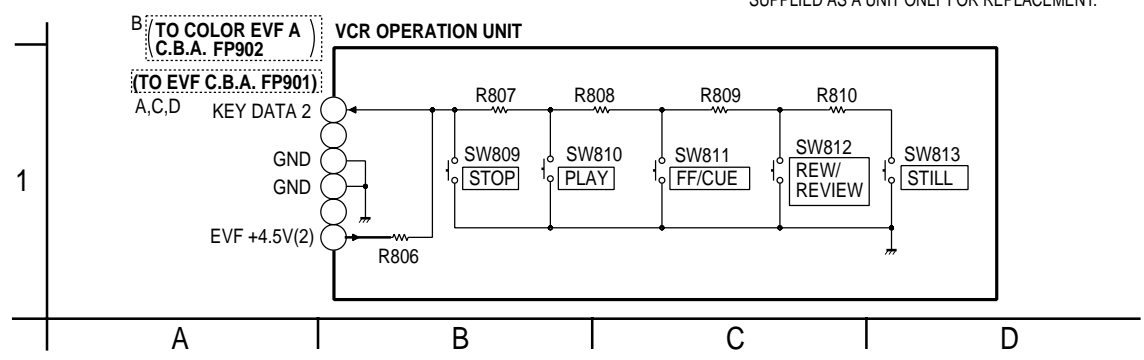
COMPARISON CHART OF MODELS & MARKS

MODEL	MARK
PV-L750	A
-----	B
PV-L780	C
PV-L850	D
Not Used	Z

#### VCR OPERATION UNIT

“FOR REFERENCE ONLY”

NOTE:  
VCR OPERATION UNIT IS NOT SERVICEABLE AND IS SUPPLIED AS A UNIT ONLY FOR REPLACEMENT.



#### MECHANISM FPC UNIT

“FOR REFERENCE ONLY”

NOTE:  
MECHANISM FPC UNIT IS NOT SERVICEABLE AND IS SUPPLIED AS A UNIT ONLY FOR REPLACEMENT.

